

▶ DZS Linear Vibrating Screen

Principle

DZS linear vibrating screen is driven by double vibration motors. While two vibration motors doing synchronous rotation or counter-rotation, the exciting force generated by eccentric block is cancelled out with transverse exciting force, and the longitudinal exciting resultant force is passed on the whole screen surface, in this way, the motion track of screening machine is a straight line. There is an inclination between the exciting force direction and screen surface, under the action of resultant force of exciting force and material gravity, the materials on screen surface are thrown up and jumped forward in a straight line. In this way, the materials screening and classification are achieved.

Features

Low motor power, which is generally 1/4-1/5 of other kinds of screens.

High screening efficiency.

Lower load transmitted to the base with no special treatment.

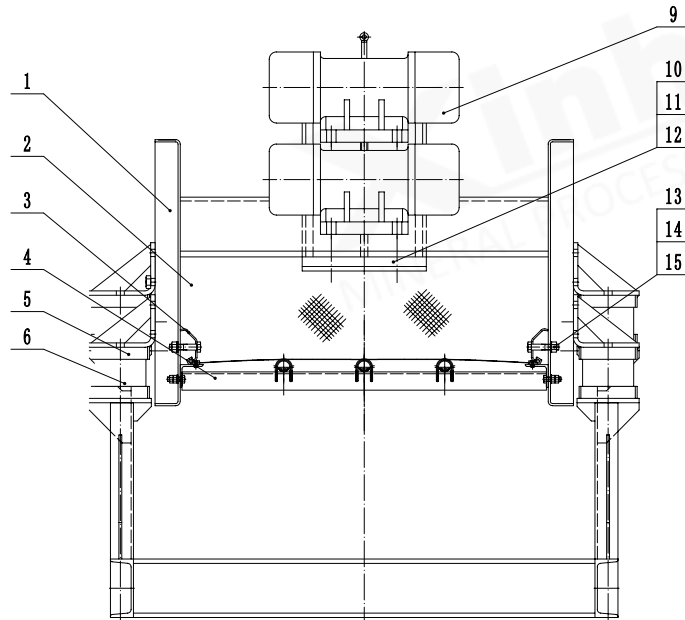
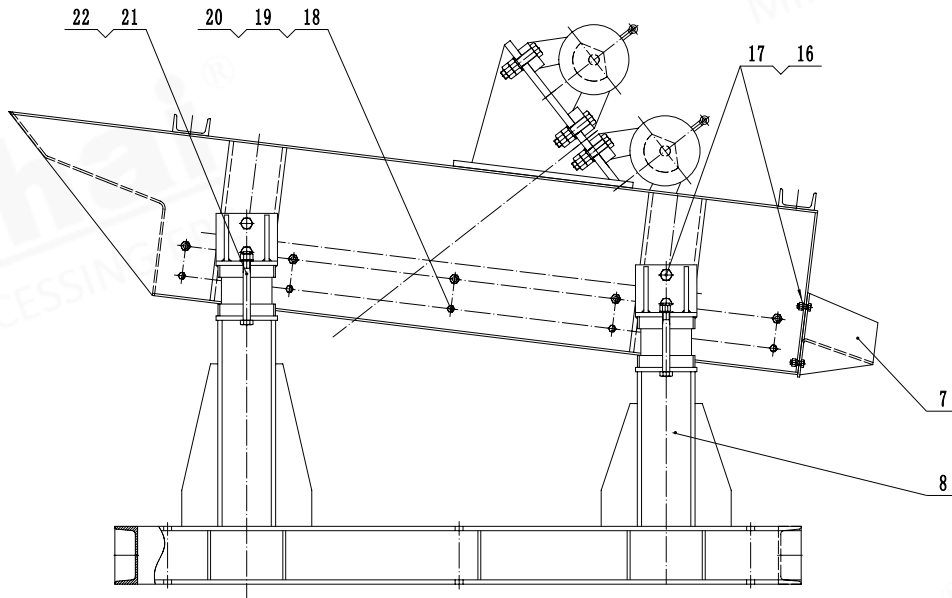
Application

Applicable for dewatering, desliming, fluid exhaustion and heavy medium removal for the beneficiation of heavy medium.



Technical Parameters

Model	Screening Area (m ²)	Amplitude (mm)	Motor Model	Motor Power (kW)	Rotating Speed (r/min)	
DZS0412	0.4 × 1.2	2~4	YZS-3-6	0.25	970	
DZS0415	0.4 × 1.5					
DZS0612	0.6 × 1.2					
DZS0718	0.7 × 1.8		YZO-10-6	0.75	960	
DZS0816	0.8 × 1.6					
DZS0912	0.9 × 1.2					
DZS0918	0.9 × 1.8	4~6	YZU-10-6	0.75	960	
DZS1018	1.0 × 1.8		YZU-16-6	1.1		
DZS1020	1.0 × 2.0		YZO-20-6	2		
DZS1225	1.25 × 2.5	3~5	YZU-16-6	1.1	950	
DZS1530	1.5 × 3.0		YZU-20-6B	1.5		960
2DZS1530	1.5 × 3.0		YZO-20-6	2	950	
DZS1536	1.5 × 3.6		YZU-20-6B	1.5	960	
2DZS0918	0.9 × 1.8		4~6	YZU-25-6B	1.5	960
2DZS1018	1.0 × 1.8		2~4	YZU-20-6B	1.5	960



■ Structure Drawing of DZS Linear Vibrating Screen

- ⊙ Notes:
- | | | | | |
|-------------------------|-------------------------|-------------------------|--------------------|-------------------------|
| 1. Screen frame | 2. Screen mesh assembly | 3. Hook plate | 4. Screen base | 5. Spring base |
| 6. Spring | 7. Discharge port | 8. Support | 9. Vibration motor | 10. Hexagonal head bolt |
| 11. Hexagon nut | 12. Flat washer | 13. Hexagonal head bolt | 14. Hexagon nut | 15. Flat washer |
| 16. Hexagonal head bolt | 17. Spring washer | 18. Hexagon nut | 19. Hexagon nut | 20. Flat washer |
| 21. Hexagonal head bolt | 22. Hexagon nut | | | |