

## ▶ Flocculant Agitation Tank

### Features

Used for the storage of agitated flocculant mixed liquor.

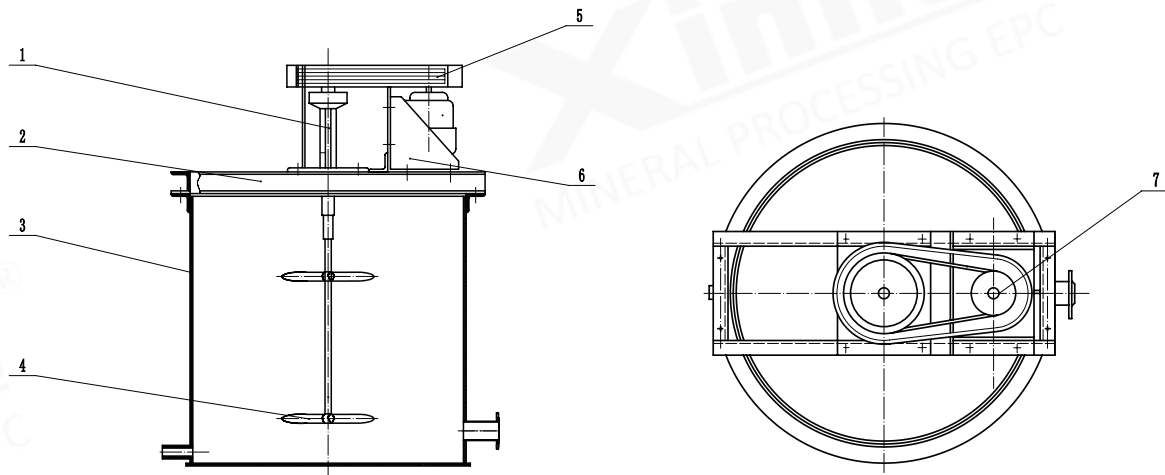
No caking, no sedimentation, and without destroying the flocculant macromolecule chain.

The shaft and the impeller are made of stainless steel materials.



### Technical Parameters

Model	Spec.	Effective Volume (m <sup>3</sup> )	Impeller Diameter (mm)	Impeller Speed (r/min)	Motor Model	Motor Power (kW)	Weight (kg)
XBJ1.0×1.75	φ1000×1750	1.1	450	133	Y132S-8	2.2	600
XBJ1.5×1.5	φ1500×1500	2.2	518	320	Y132S-6	3	1260



■ Structure Drawing of Flocculant Agitation Tank

- ⊙ Notes: 1. Vertical shaft assembly      2. Frame      3. Tank body      4. Impeller  
 5. Safety guard      6. Motor seat      7. Motor belt pulley